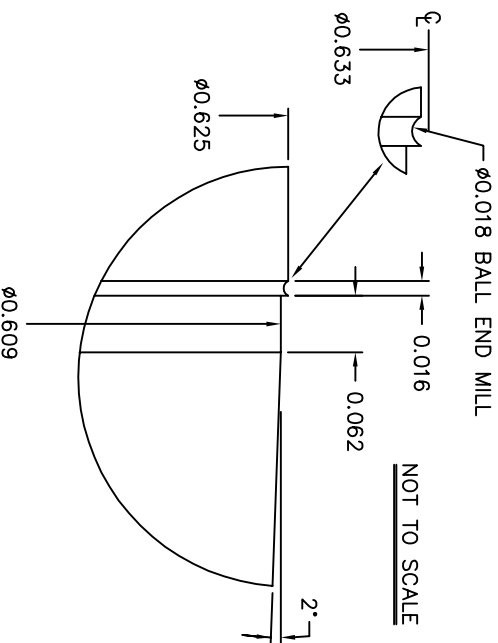
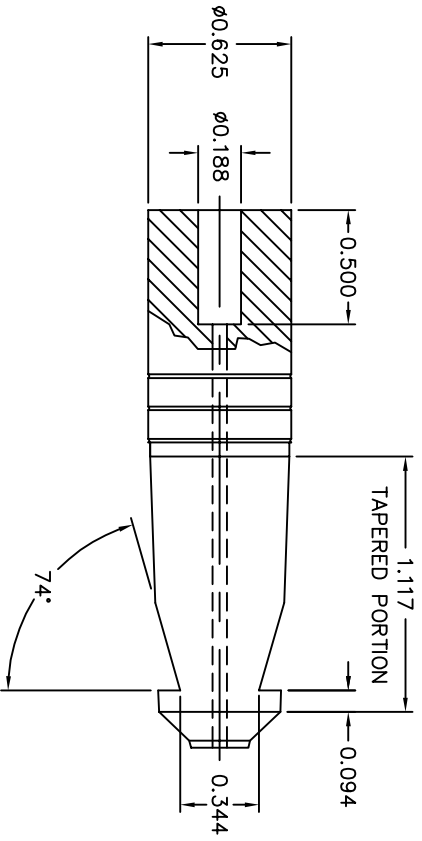
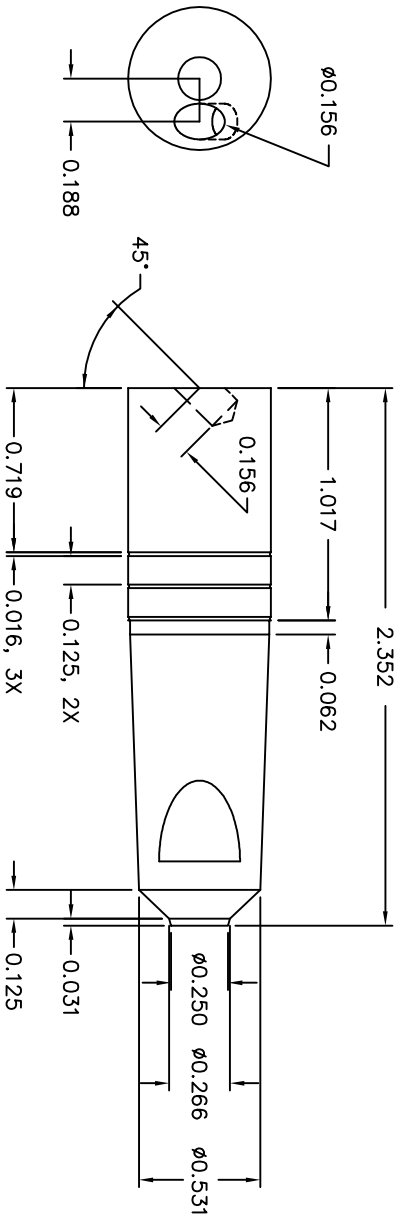


NO.	REVISIONS	DATE	BY
A	RELEASE TO PRODUCTION	AUGUST 2009	JAG



UNLESS OTHERWISE SPECIFIED
DIMENSIONS ARE IN INCHES [MM]
TOLERANCES ARE:
XX .XXX ANGLES
E.015 ±.005 ±1/2°
MATERIAL ALUM ALLOY

R2-D2 BUILDERS CLUB
DRAWING NO. JAG

BODY
SCANNER

FORMAT

SCALE: FULL

DRAWN: AUGUST 2009

SHEET: 1 OF 1

REV. A